

NXPTH

STAINLESS STEEL P&T MOTOR



IP66

IP67



NXM + VIPNX + NXPTH + NXFWBT + NXWBPTH1

DESCRIPTION

Electropolished stainless steel Pan & Tilt unit designed for movement on horizontal and vertical axis.

Together with the stainless steel housings, The NXPTH is built to resist the most severe environments. It is developed for the offshore market, for every type of sea-going vessel and all industrial applications.

Each detail has been carefully analysed, resulting a reliable product suitable for highly corrosive environments. The accurate mechanical construction and reliable motors utilized reduce the need of maintenance even in situations of heavy mechanical stress.

The NXPTH allows a maximum horizontal/vertical rotation of 340° and is equipped with potentiometers which allow use of the preset function.

MAIN FEATURES

Made of AISI 316L electropolished stainless steel

IP66/IP67

Horizontal fixed speed 5°/s, vertical fixed speed 3°/s

Max. load 40kg (88lb) balanced

Preset function

Versions 24Vac and 230Vac, 50/60Hz

Compatible with: NXM, NXM36, NXM36 Hi-PoE, NTM, NXL, NTL

TECHNICAL DATA

GENERAL

Housing manufactured in polished stainless steel (austenitic stainless alloy steel resistant to corrosion and heat):

- AISI 316L
- UNI 6900-71: X 2 Cr Ni Mo 17 12 2
- DIN 17006: X 2 Cr Ni Mo 17 13 2
- N° werkstoff: 1.4404
- AFNOR: Z2 CND 17-12
- BSI: 316S11

The screws utilised are in austenitic alloy stainless steel, corrosion and heat resistant according to the following standards:

- ISO: 7380
- AISI: 316
- ISO quality: A4
- Resistance class ISO: from 50 to 70

MECHANICAL

Load rating: 40kg (88lb) max (balanced)

2 Cable glands: 2xPG13.5 (nickel-plated brass for external connections)

External body polishing

Gaskets: O-ring

Horizontal rotation: 0-340°

Horizontal speed: 5°/s

Pan dynamic torque: 35nm

Pan Static Torque: 12nm

Horizontal limit switches, internally adjustable

Vertical plane movement: 0-340°

Tilt speed: 3°/s

Tilt Dynamic Torque: 60nm

Tilt Static Torque: 24nm

Backlash: Pan 0.1°, Tilt 0.16°

Vertical limit switches, internally adjustable

Unit weight: 15kg (33.5lb)

ELECTRICAL

Power supply: IN 24/230Vac, 50/60Hz

Standard Preset

Standard vertical and horizontal potentiometers

Potentiometer linear multitrans (10 turns)

Horizontal motor consumption 13W max

Vertical motor consumption 13W max

ENVIRONMENT

For installation indoors and outdoors

Operating temperature: From -20°C (-4°F) up to +50°C (122°F)

Salty fog resistance

CERTIFICATIONS

Electrical safety (CE): EN60065

Electromagnetic compatibility (CE): EN50130-4, EN61000-6-3

IP protection degree: EN60529 (IP66)

EAC certification

RELATED PRODUCTS

NXM	Housing for installation in aggressive environments
NTM	Housing for thermal cameras in hostile environments
NXL	Large housing for aggressive environments
NTL	Large housing for thermal cameras
NTC	Housing with thermal module for installations in harsh environments
DTMRX2	Telemetry receiver 12 functions, 230Vac
DTMRX224	Telemetry receiver 12 functions, 24Vac
DTRX3	Telemetry receiver 17 functions, 230Vac
DTRX324	Telemetry receiver 17 functions, 24Vac

BRACKETS AND ADAPTORS

NXWBPTH1	Wall bracket for stainless steel P&Ts
NXFWBT	AISI 316L stainless steel parapet mounting bracket
NXCOL	AISI 316L stainless steel pole adapter module
NXCW	AISI 316L stainless steel corner adapter module

SPARE PARTS

DOTNXPTH	Maintenance kit for NXPTH
----------	---------------------------

PACKAGE

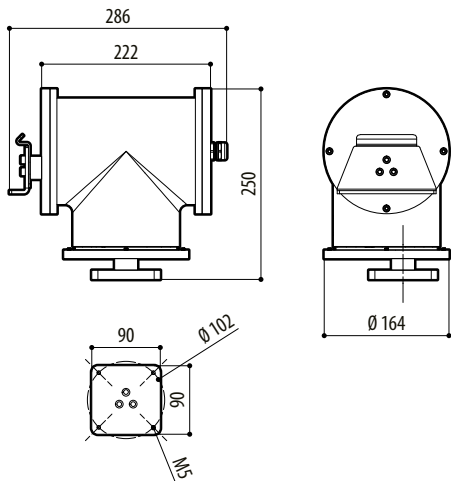
Model Number	Weight	Dimensions (WxHxL)	Master carton
NXPTH210	15.5kg (34.2lb)	24x32x24.5cm (9.4x12.6x9.6in)	-

AVAILABLE MODELS

Model Number	Power supply	Preset	Max consumption
NXP2H10	230Vac	✓	26W
NXP2H11	24Vac	✓	26W

TECHNICAL DRAWINGS

The dimensions of the drawings are in millimetres.



NXP2H